
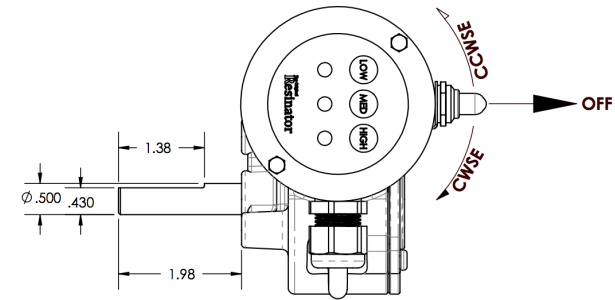
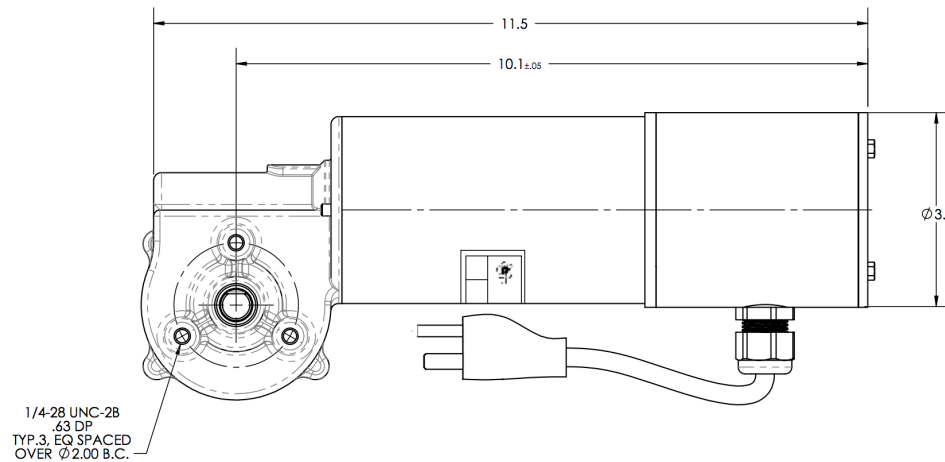


VOLTS	LOAD	RATED AMPS	RATED RPM CW	RATED RPM CCW	DUTY CYCLE
115VAC	N.L.	1.0 MAX	45 MIN	45 MIN	-
115VAC	40 IN-LB	1.5 MAX	40 MIN	40 MIN	CONT.

NAMEPLATE DETAIL


DATE CODE  
PER E.I. 32.3

 <b>The Original Resinator</b> 708 Gravenstein Hwy N #421 Sebastopol, CA 95472		XXXX		
		Model No. 3023NBE008-6-54		
<b>PERMANENT MAGNET MOTOR</b>				
FULL LOAD RPM:	VOLTS:	AMPS:	H.P.	DUTY CYCLE
25/35/45	115VAC	1.5	.1	CONT.



SPECIFICATIONS	
MODEL NO.	3023NBE008-6-54
MOTOR TYPE	DR250 RIGHT ANGLE GEARMOTOR
INPUT VOLTS	115 VAC
GEAR RATIO	48:1
INSULATION TYPE	CLASS H
THERMAL PROTECTED	NO
BRUSH TYPE	INTERNAL BRUSH CARD ASSEMBLY
BEARING TYPE	BALL BEARINGS
WEIGHT	6.8 LB
RoHS COMPLIANT	YES
APPLICATION SPECIFICATIONS	
LOAD TORQUE	100 IN-LB
SPEED @ LOAD	40 RPM
CURRENT @ LOAD	3 MAX
OUTPUT POWER	1/8 HP
EFF. @ LOAD	32%
DUTY CYCLE	CONTINUES

PR16021

DESIGN APPROVAL	DATE	UNSPECIFIED TOLERANCES	PART NO.
DES. ENG.		.0005 .0015 .0050	3023NBE008-6-54
MFG. ENG.		MACHINE FINISH	 <b>The Original Resinator</b>
Q.C.		ANGLES CONCENTRICITY SQUARENESS	708 Gravenstein Hwy N #421, Sebastopol, CA 95472
SALES		± .11 .005 TIR .001 PER IN.	
DO NOT SCALE DRAWING		REMOVE ALL BURRS BREAK SHARP CORNERS	TITLE GEARMOTOR W/ CONTROL ASSEMBLY, DR250 48:1
MATERIAL SPEC.		Rev. per Piece	RECEIVED AS
		Form No.	DWG BY: QL
			DATE: 3/20/2017
			SCALE: 1:2